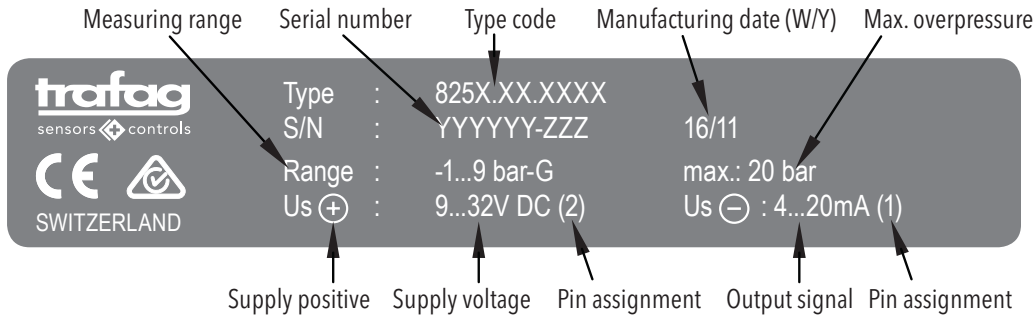


Technical specification


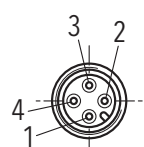
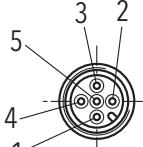
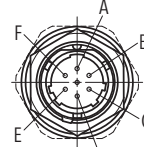
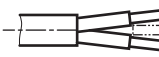
Ambient temperature: -40°C ... +125°C (NAR 8258: -40°C ... +85°C)
(cable PVC 22: -5 ... 60°C)
(cable PUR 24: -40 ... 70°C)
(cable Radox Tenuis 88: -40 ... 100°C)

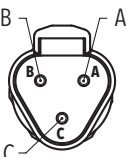
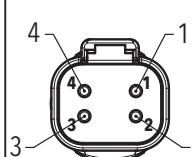
Media temperature: -40°C ... +125°C (NAR 8258: -40°C ... +85°C)

Type label description (Example)



Electrical connections

Ingress Protection	IP65 ¹⁾²⁾	IP67 ¹⁾²⁾	IP67 ¹⁾²⁾	IP67 ¹⁾²⁾	IP67 / IP68 ²⁾³⁾
Designation	Industrial standard	M12x1 4-pole	M12x1 5-pole	MIL-C 26482	Cable
Type code	825X.XX.XXXX 01	825X.XX.XXXX 32	825X.XX.XXXX 35	825X.XX.XXXX 02	825X.XX.XXXX 22/24/08/88
Pin configuration					 RD: red BK: black WH: white GN: green BN: brown YE: yellow YE/GN: yellow/green

Ingress Protection	IP67, IP68 ¹⁾⁴⁾	IP67, IP68 ¹⁾⁴⁾
Designation	DT04 3-pole	DT04 4-pole
Type code	825X.XX.XXXX D3	825X.XX.XXXX D4
Pin configuration		

Output

4 ... 20 mA
0 ... 6 VDC ranges
0 ... 10.1 VDC ranges
0.5 ... 4.5 VDC ratiom.
2 PNP Transistors
1 PNP Transistor

Load resistance

see graphic
≥ 5.0 kΩ to Us-
≥ 5.0 kΩ to Us-
≥ 5.0 kΩ to Us-

ISUPPLY

≤ 20 mA
≤ 15 mA
≤ 10 mA
≤ 10 mA
≤ 10 mA

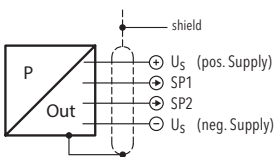
USUPPLY

24 (9 ... 32) VDC
24 (9 ... 32) VDC
24 (15 ... 32) VDC
5 (4.75 ... 5.25) VDC
24 (9 ... 32) VDC
24 (9 ... 32) VDC

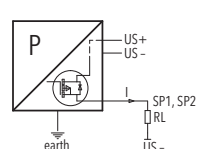
¹⁾ Provided female connector is mounted according to instructions
²⁾ Ventilation via male electrical plug/ cable
³⁾ IP68, 20 bar, 30 min. (not for cable 08)
⁴⁾ IP68, 100 mbar, 4h

Connection of the measuring equipment

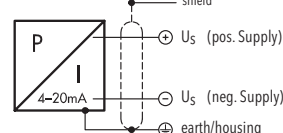
Switching output



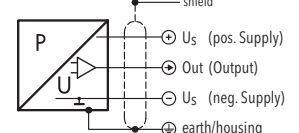
Connection of loads to switch contacts



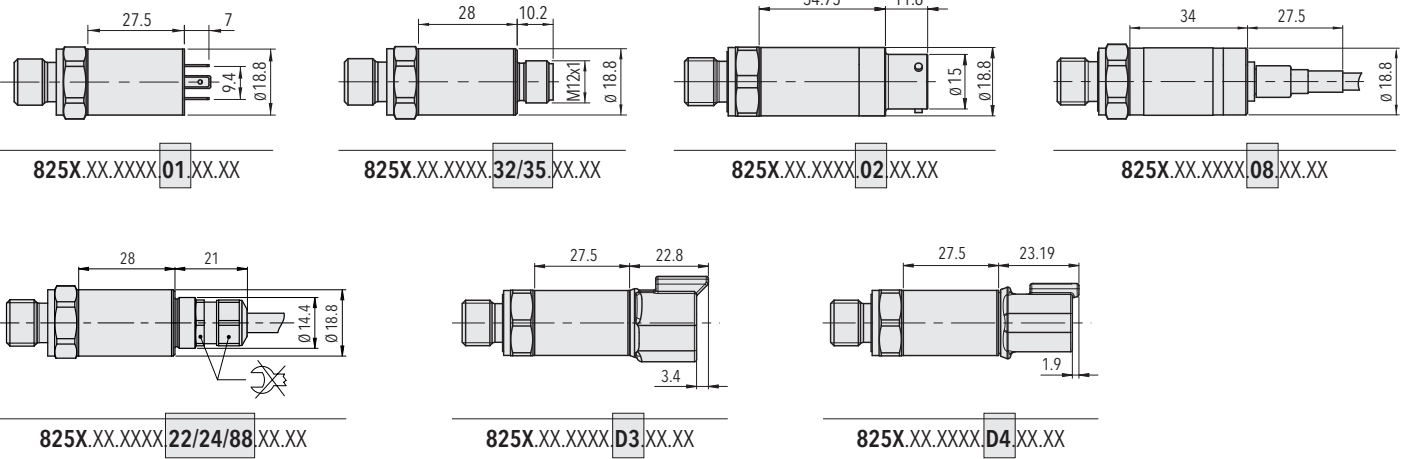
Current output 2-wires



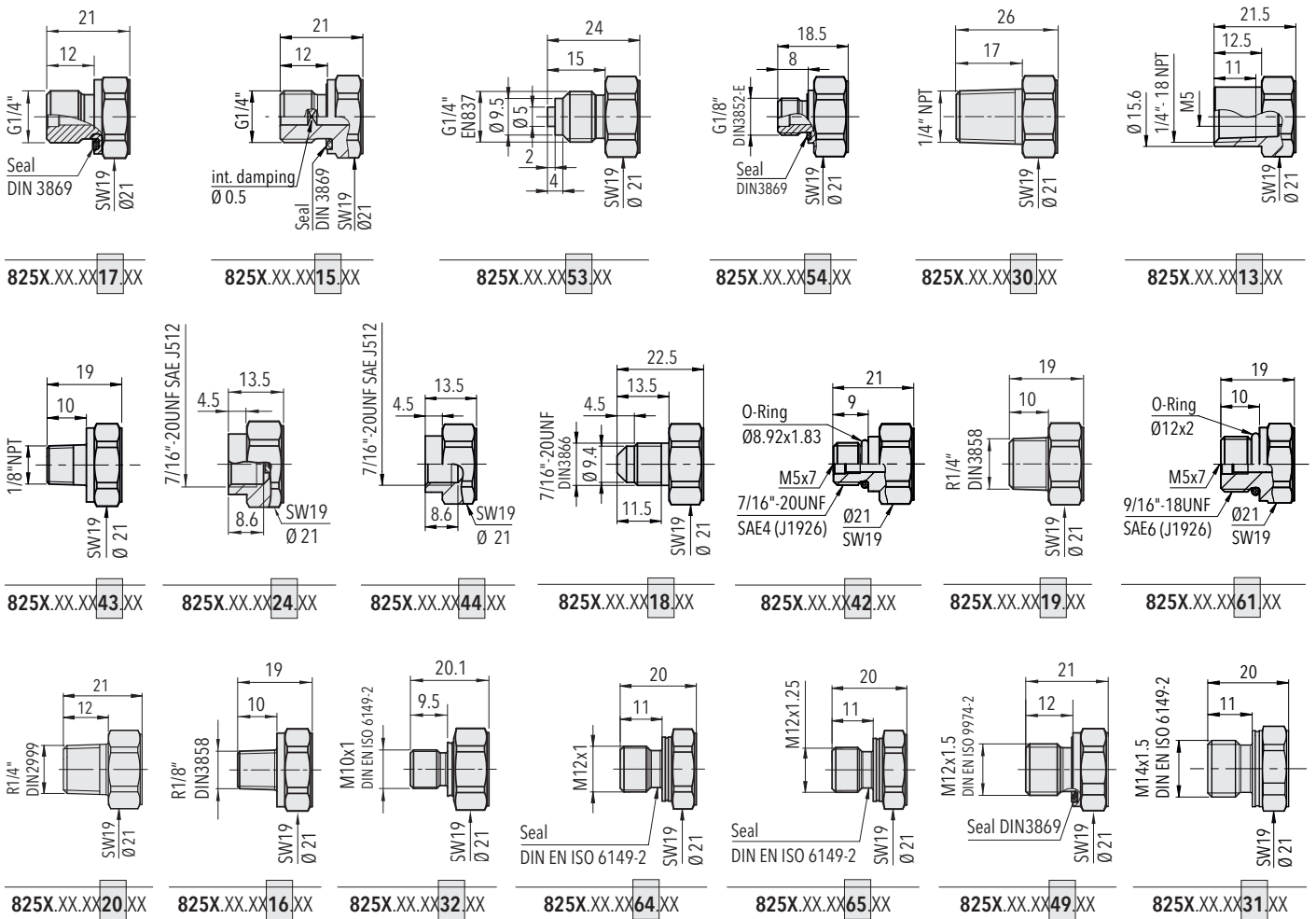
Voltage output 3-wires



Electrical connections

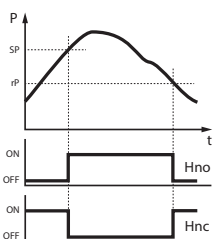


Pressure connections

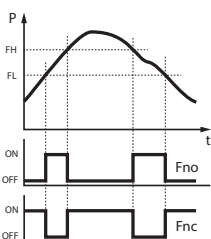


Functions switching output

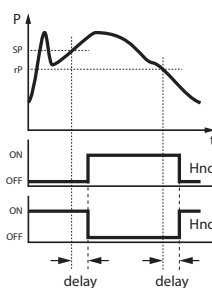
Hysteresis



Window



Delay



4...20mA: min./max resistor vs. supply voltage @ Pmax = 100%

